



Part #11000 - Add on Remote for Relay Part #10698

- Connect:

Red wire to "B+" Post

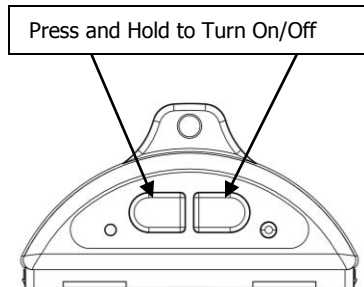
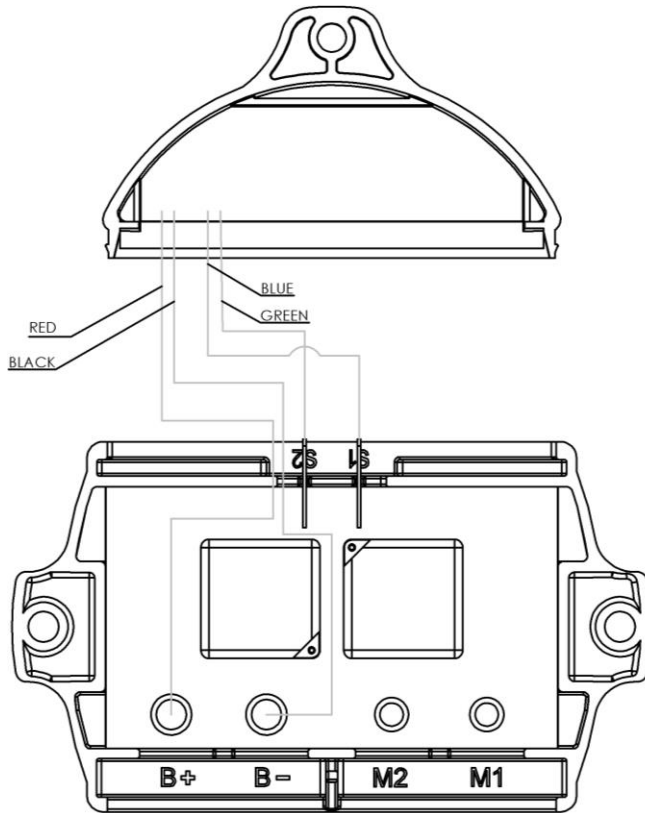
Black wire to "B-" Post

Blue wire to "S1" Spade

Green wire to "S2" Spade

- Clip RF Module to the Relay, routing the wires through the rectangular cutout in the relay.

Note: Wires must be hooked as noted to ensure proper operation of relay and its programming modes. If motor direction does not match the direction indicated by the switch, reverse the wires on the "M1" and "M2" posts.



To Turn RF Module On/Off Press and Hold both large buttons for 3 seconds, this can be done using the two corresponding buttons on the Fob

Pairing Key Fobs and Receiver

- 1) Once you have all of the key-fobs you wish to program ready - Turn RF control module on (Press and hold the 2 large buttons for approximately 3 seconds – red light will illuminate when power is on)
- 2) Push and hold the small round button and the large OPEN/RAISE button (see Figure 1 below) simultaneously and hold for approximately 6 seconds. The red light will flash rapidly.

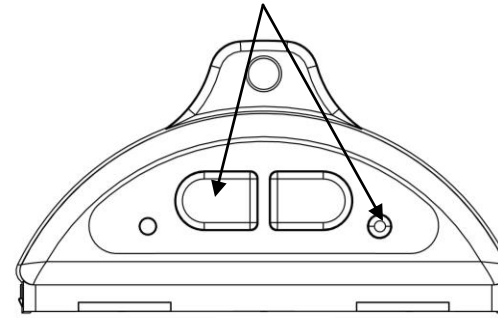


Fig. 1

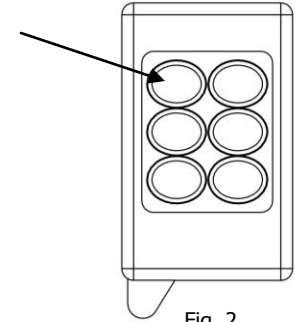


Fig. 2

- 3) Press the **top left*** button on the first key-fob to be programmed for 1 second (see Figure 2 below.) The red light will stop flashing momentarily and then start flashing again.
- 4) Repeat step 3 for all key-fobs to be programmed before the LED light goes back to solid red.

*Note: If programming one Key Fob to operate multiple receivers in step 3 you will press the **middle left** button for the 2nd receiver and the **bottom left** button for the 3rd receiver.

Programming Time Out Feature

- 1) Push and hold the small round button and the large CLOSE/LOWER button simultaneously and hold for approximately 6 seconds. The light will flash a number of blinks corresponding the chart below to tell you what the current program is.
- 2) To adjust time out feature, while in program mode, press the left hand large button (OPEN/RAISE) to increase on time or press the large right hand button (CLOSE /LOWER) to decrease on time. Each press will change program, press until flash code matches the desired time and allow unit to sit until light returns to a solid on condition.

LED Flashes

- 1
- 2
- 3
- 4
- 5
- 6

On Time before Auto Shutdown

- On Indefinitely (Default)
- 2 Minutes on time
- 4 Minutes on time
- 6 Minutes on time
- 8 Minutes on time
- 10 Minutes on time