

# Belly Dump/Live Bottom Trailer

## Spec Sheet (Flowboys, etc.)

Please use inches for unit measurement.

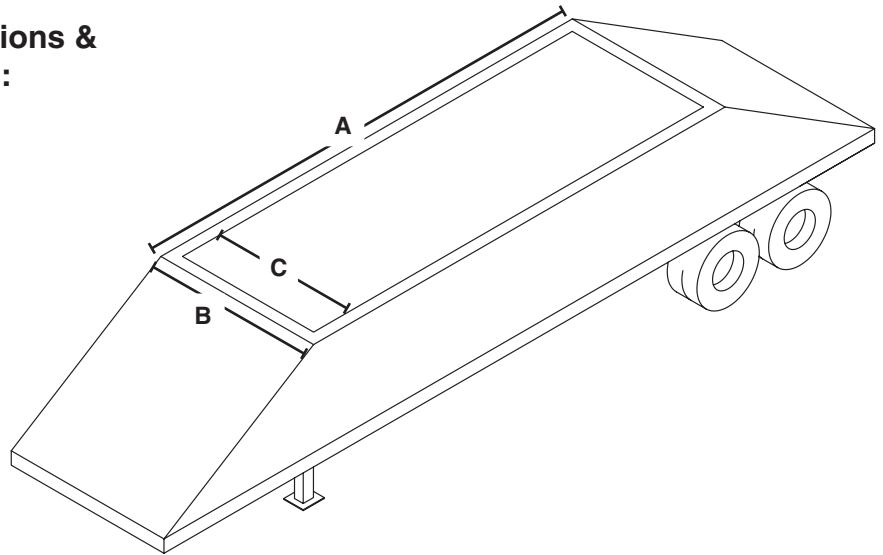
### A. Critical Application Considerations & Required Trailer Measurements:

\_\_\_\_\_ Make of Trailer

\_\_\_\_\_ = (A) Overall Length

\_\_\_\_\_ = (B) Outside Width

\_\_\_\_\_ = (C) Inside Width



Are you retro-fitting a hand crank system?

Yes

No

— If Yes, do you have lock rail on the trailer?

Yes

No

Do you want Roll-Rite® flexible bows or are you using other bows?

Roll-Rite®

Other

Do you want a dual arm (front and rear) or front single arm only?

Front

Dual

If single arm would you like a Roll-Rite® Rear Tarp Return or other?

Roll-Rite®

Other

Does your application require a Mesh or Vinyl tarp?

Mesh

Vinyl

If Mesh, what type of load are you hauling? \_\_\_\_\_

Do you need any of the following?

Plug Set

Coil Cord

Wireless Remote Control

Outdoor Mounted Switch

Front & Rear Caps



Automated Covering Systems  
A Safe Fleet Brand

Inside Sales & Service: 1-800-297-9905 • FAX: 989-246-1035