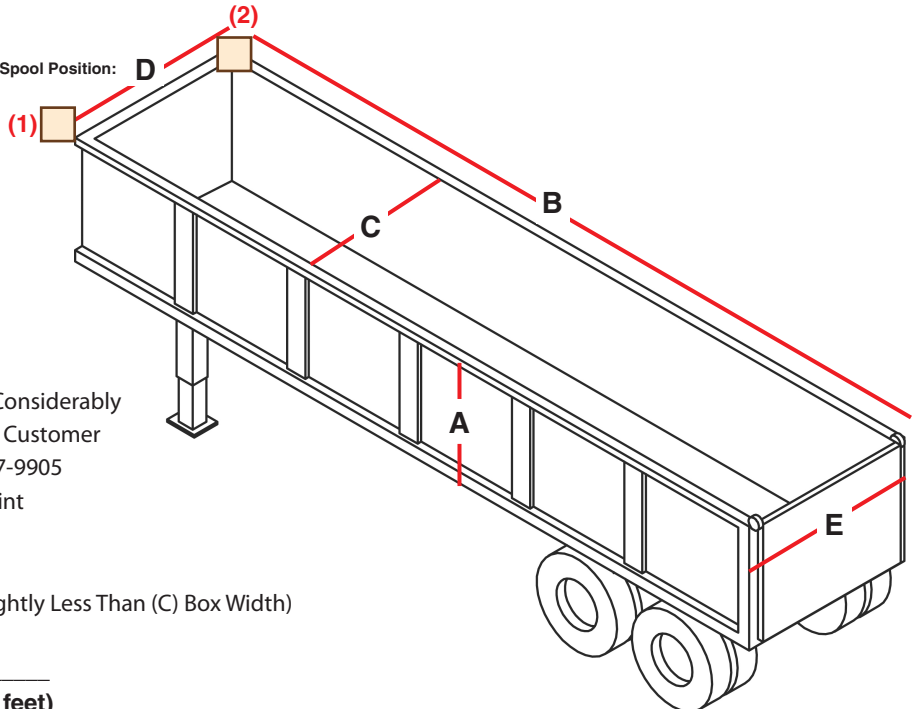


# Super Duty Spec & Order Sheet: Trailers

Please use inches for unit measurement.

**Spool Position:** Check One Box To Show Mounted Spool Position:  
**(1) Forward of Trailer** —OR— **(2) Top of Trailer**



**Box:** \_\_\_\_\_ " (A) Height

\_\_\_\_\_ " (B) Length

\_\_\_\_\_ " (C) Inside Width

\_\_\_\_\_ " (D) Front Mounting Width

\*\*If Mounting Width Varies Considerably from (C) Please Call Roll-Rite Customer Service toll-free at 1-800-297-9905

\_\_\_\_\_ " (E) Outside Width of Widest Point  
 —If Tailgate is Over 100"

**Tarp Size:** \_\_\_\_\_ " Width (Generally Should Be Slightly Less Than (C) Box Width)

(Required) \_\_\_\_\_ " Length = \_\_\_\_\_ + \_\_\_\_\_  
 (B) 24" (2 feet)

**Pivot Springs:** **Determining Spring Capacity:**

Above tarp length calculation and your tarp material determines the number of springs your system requires.

## Super Duty Series Tarp Systems:

**System:** \_\_\_\_\_ **A. Roll-Rite. Super Duty Tarp System**

Part #

\_\_\_\_\_ **B. Roll-Rite. Tarp Selection see (specify by part number)**

Part # To ensure accuracy, orders for custom tarps (flapped, etc.) must be accompanied by an approved drawing.

**OR Select by Component:**

\_\_\_\_\_ **1. Select a Tarp Spool**

Part #

\_\_\_\_\_ **2. Select a Pivot Set**

Part #

\_\_\_\_\_ **3. Select a Bow Set**

Part #

\_\_\_\_\_ **4. Roll-Rite. Tarp Selection: (specify by part number)**

Part # To ensure accuracy, orders for custom tarps (flapped, etc.) must be accompanied by an approved drawing.

**Accessories: Please check or specify quantity of sets to order**

\_\_\_\_\_ 76660 Bow Centering Wedges

\_\_\_\_\_ 46950 Bow Stop Brackets

\_\_\_\_\_ 12760 SureFlex Plug Set

\_\_\_\_\_ 10620 Contact Plates

\_\_\_\_\_ 101729 /101259 Amp Sensing Relay & 50-Amp Breaker for One-Touch

General Aggregate (Mesh) Tarp Applications												
22ft	24ft	26ft	28ft	30ft	32ft	34ft	36ft	38ft	40ft	42ft	44ft	46ft
5-Spring												
60" Knuckle Pivot												
6-Spring												
84" Knuckle Pivot												
8-Spring												

Asphalt (Solid) Tarp Applications				
22ft	24ft	26ft	28ft	30ft
5-Spring				
6-Spring				

If you occasionally haul asphalt and plan to change your tarp, we highly recommend using the chart for asphalt tarps.



Automated Covering Systems  
 A Safe Fleet Brand

Inside Sales & Service: 1-800-297-9905 • FAX: 989-246-1035