

# Roll·Rite® ALC300 Series

Heavy Duty Steel Tarp Systems



...For Roll Offs & Hooklifts



# Roll-Rite® ALC300 Series



Pivot Mount with Arch



Telescopic Gantry



Tarp Spool



Telescopic Arms

Heavy Duty Steel Tarpers, Built to Last.

## ALC300 Series Tarp System Benefits:

- **Pivot Mount with Arch Guide:** Stabilized operation allows consistent arm movement while reducing wear and tear of the pivot featuring 1/2" steel arch guide with UHMW self-lubricating guides. Engineered for longer life with 1/2" heavy duty steel pivot mounts with Teflon lined steel spherical bearings reduces wear. Corrosion resistant pivot cylinders with 2 1/4" bore and 25" stroke with 1 1/4" piston rod (nitrate). Safety stop added to accommodate small containers
- **Heavy Duty Telescopic Gantry:** Lower gantry section is 3 1/2" x 3 1/2" x 3/16" ga. thick wall steel Tubing for extra strength. Upper gantry section is custom fitted telescopic 3" x 3" x 3/16" ga. steel tubing. Corrosion resistant gantry cylinder with 36" stroke, a 1 3/4" bore, and 1 1/4" piston rod (nitrate rod). Sits at 64" high in lowered position, and telescopes 36" to a total of 8'4" (100") fully extended. Heavy duty 4" x 2" x 1/8" steel top landing tube supports the tarp spool. Installs with 8" clearance (see Tower Clearance Drawing & Specification facing page)
- **Tarp Spool Assembly:** Hold down bar secures tarp to gantry for faster, easy tarp removal. Tarp Axle features a 3 1/2" extruded aluminum torsion tube assembly
- **Heavy Duty Steel Telescopic Arms with Synchronized Pivots:** Gear driven flow divider for pivot cylinders and slide cylinders. Hydraulic slide arm cylinder features a 36" Stroke (nitrate rod). Hydraulic arms lock down on top of container. Lower pivot arm consists of 3" x 2" x 3/16" tubing. Upper arm 2 1/2" x 1 1/2" x 11 ga. tubing with end block. Hydraulic arms "lower & lock down" on the top of container
- **Mechanic Friendly:** Quick, easy tarp change. Easy to work on and repair. Grade 8 bolts and nuts. Hydraulic hose (.25/3000 psi.) with #4 jic fittings

## Operates with Truck Hydraulics:

Operate with added stackable valve sections for sectional hydraulics

### ▪ Stackable Valve Sections



### ▪ Flow Dividers



## ALC310

For Single Axle Hooklifts with Multiple Height and Length Containers Including 20, 30, and 40 Cubic Yard Sizes (Part# 79310):

- Fully Adjustable Hydraulic Telescoping Gantry
- Hydraulic Sliding Arms
- 22 ft. HD Tarp with Hook Cutout is standard and installed



- Hooklift Tarp with Hook Cutout Included

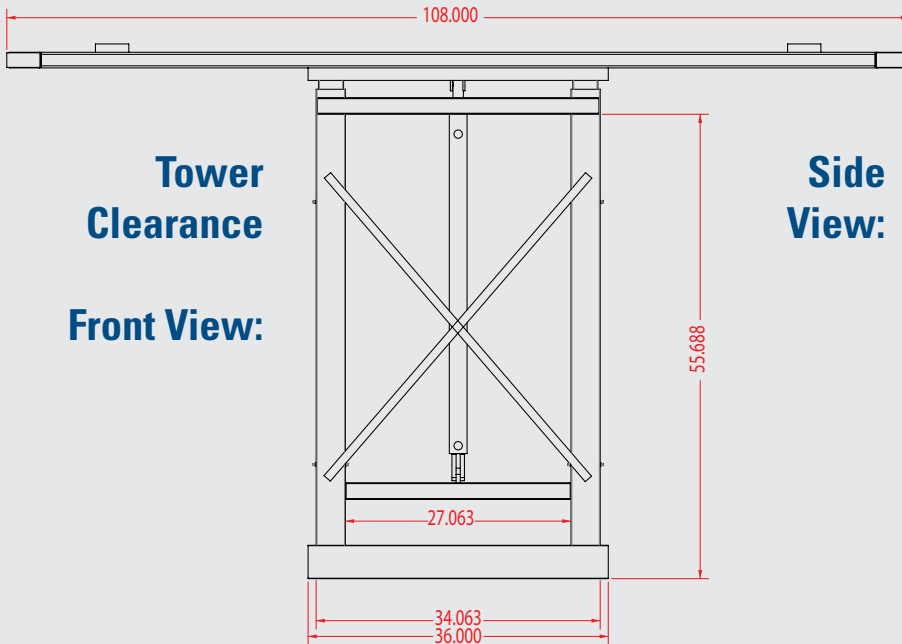


- Safety Stop for Small Containers

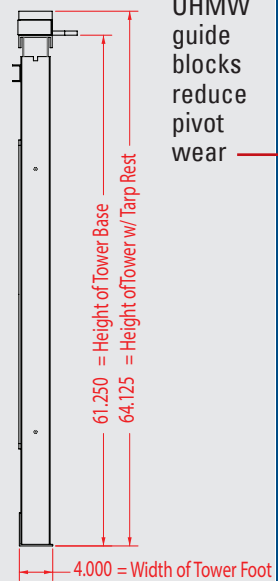
## ALC300

For Roll Offs & Hooklifts with Multiple Height and Length Containers Including 20, 30, 40 and 50 Cubic Yard Sizes (Part# 79300):

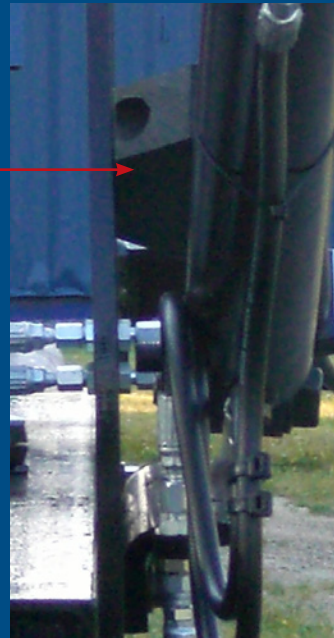
- Fully Adjustable Hydraulic Telescoping Gantry
- Hydraulic Sliding Arms
- 32 ft. HD Tarp is standard and installed



**Side View:**

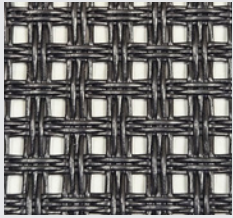


- (right) UHMW guide blocks reduce pivot wear





## ALC Heavy Duty Mesh Tarps



ALC HD Mesh

- Constructed with HD Mesh that is a strong single piece of high wear and tear strength vinyl coated polyester mesh (1000D x 1000D) along with two 61" high abrasion and wear resistant 22oz. vinyl reinforcement liners in the heavy wear front and rear areas
- Designed standard with 16" heavy duty mesh side flaps and corrosion resistant grommets spaced 32" with 1/4" shock cord to secure overloaded containers and six corrosion grommets spaced equally across the front for quick and easy attachment to the roller tube assembly
- Materials have built-in UV inhibitors to reduce sun damage and are rot and mildew resistant
- Tested for abrasion resistance, tear resistance, and cold temperature crack resistance to -40F
- Welded and sewn reinforcements, pockets and flaps for extra strength

## ALC Series Replacement Tarps

Part #	Description
79813	HD Mesh Roll-OffTarp 96" x 32'
79815	HD Mesh Roll-OffTarp with Flaps 96" x 32'
79811	HD Mesh HookliftTarp 96" x 22'
79812	HD Mesh HookliftTarp with Flaps & Cutout 96" x 22'
79816	HD Mesh HookliftTarp with Flaps (No Cutout) 96" x 22'
79805	HD Mesh HookliftTarp with Flaps & Cutout 96" x32'



RollRite.com • 800.297.9905



790-RR-ALC300RollOffSeries-4PG-202403

Copyright ©2024 Safe Fleet and its subsidiaries. All rights reserved. No part of this publication may be reproduced by any means without written permission from Safe Fleet. The information in this publication is believed to be accurate. However, Safe Fleet does not make any representation or warranty to that effect and does not assume responsibility for any consequences resulting from use of such information. Revisions or new editions of the publication may be issued (or not issued) in our discretion to incorporate such changes.

1.877.630.7366  
safefleet.net

